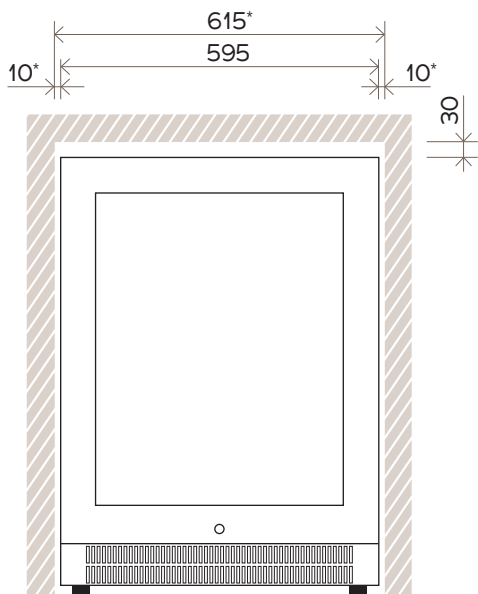
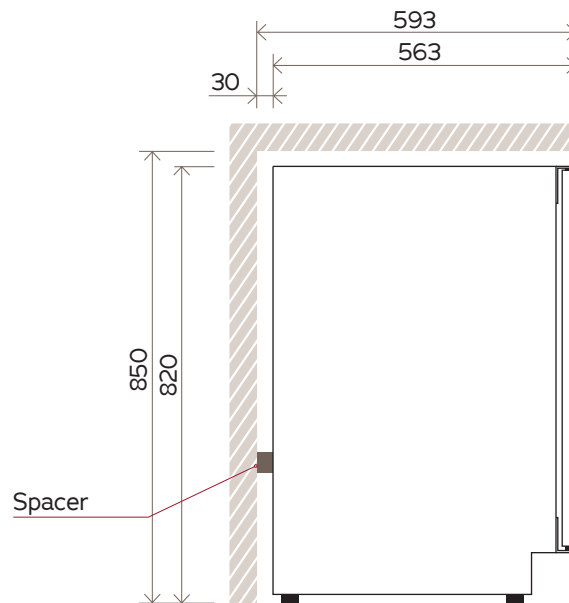


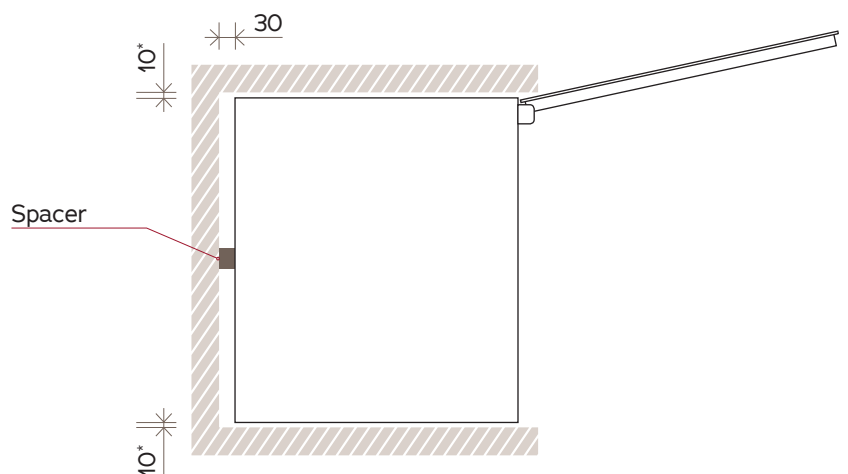
50 Bottle Wine Cabinet V40SGEBK



FRONT VIEW



SIDE VIEW



TOP VIEW

NOTE: Illustrations not to scale.
All dimensions in millimetres.

* Minimum 10mm required whether proud-fit or flush-fit, however 30mm is recommended on the opening edge for easy finger grip access when installed flush-fit.

For complete installation instructions, please refer to the user manual for this product.