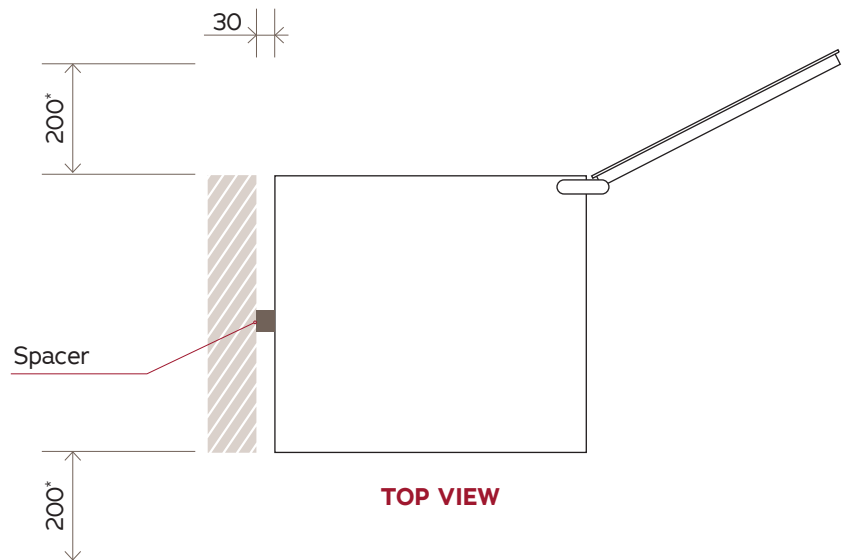
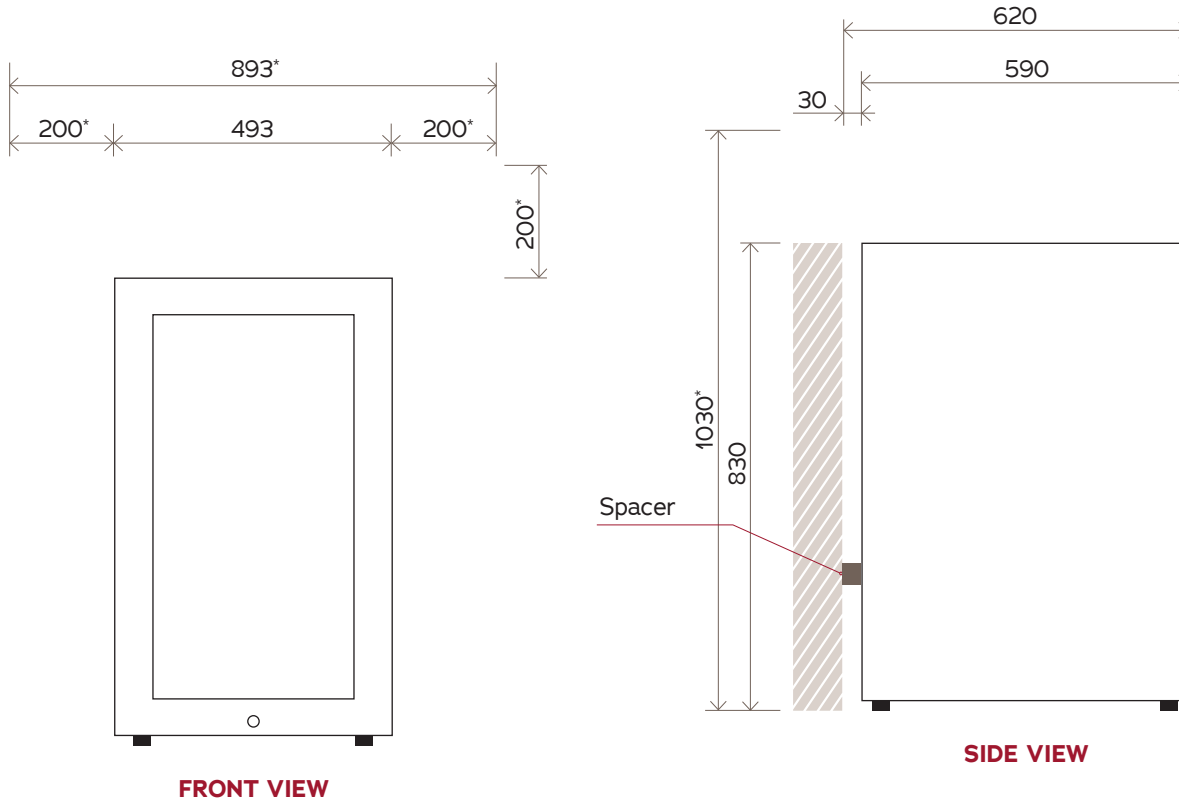


## 35 Bottle Wine Cabinet V30SGES3



**NOTE: Illustrations not to scale.**  
All dimensions in millimetres.

\*V30 models are intended to be freestanding only. At least 200mm of space is required above and beside the cabinet as shown.

For complete installation instructions, please refer to the user manual for this product.