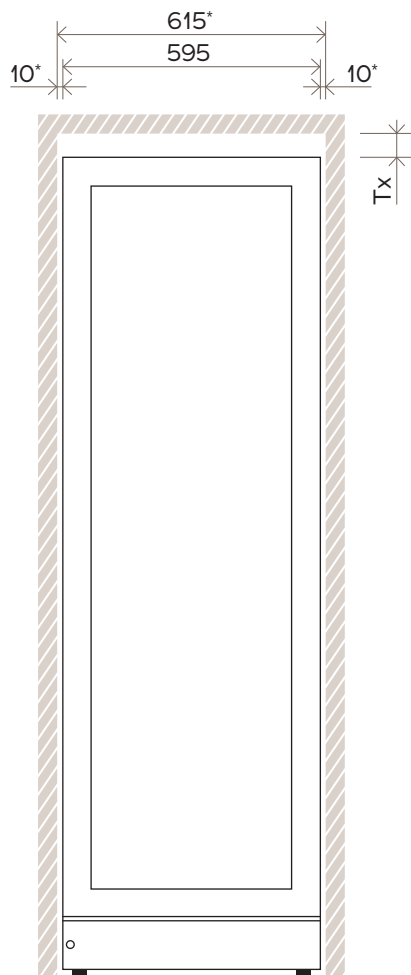
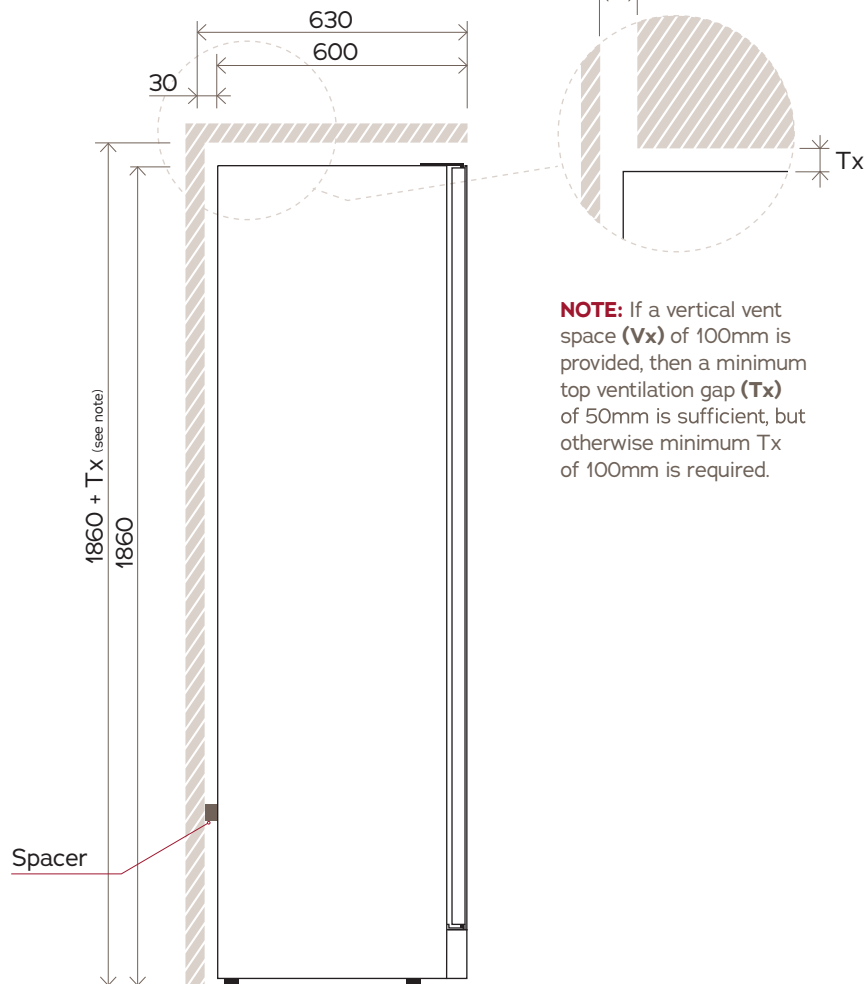


170 Bottle Wine Cabinet V190SG2E-BKLH

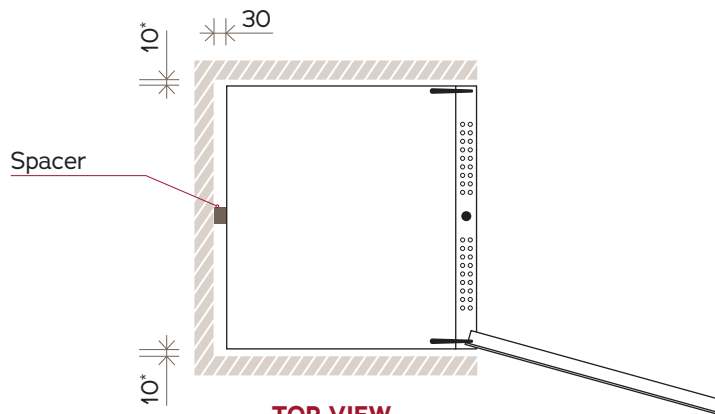


FRONT VIEW



SIDE VIEW

NOTE: If a vertical vent space (**Vx**) of 100mm is provided, then a minimum top ventilation gap (**Tx**) of 50mm is sufficient, but otherwise minimum Tx of 100mm is required.



TOP VIEW

NOTE: Illustrations not to scale.
All dimensions in millimetres.

* Minimum 10mm required whether proud-fit or flush-fit, however 30mm is recommended on the opening edge for easy finger grip access when installed flush-fit.

For complete installation instructions, please refer to the user manual for this product.