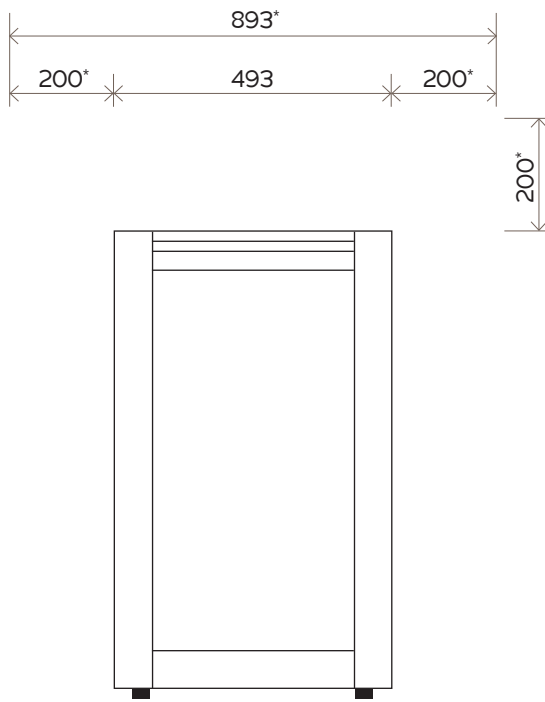
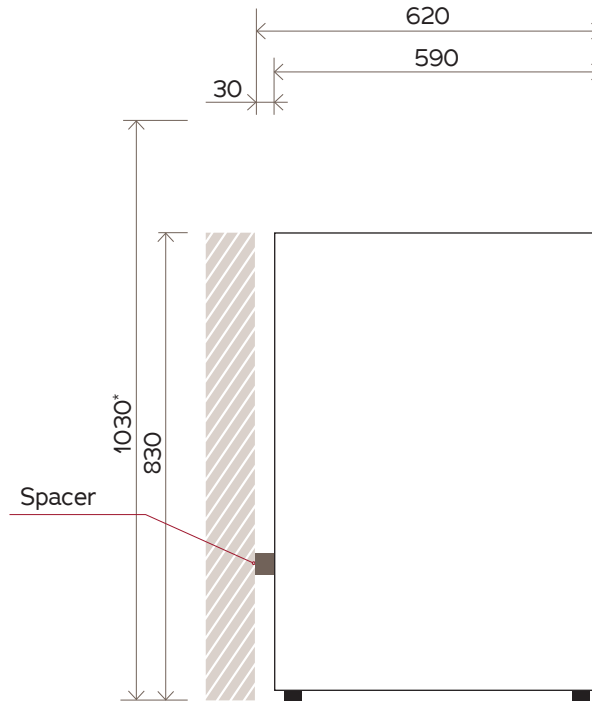


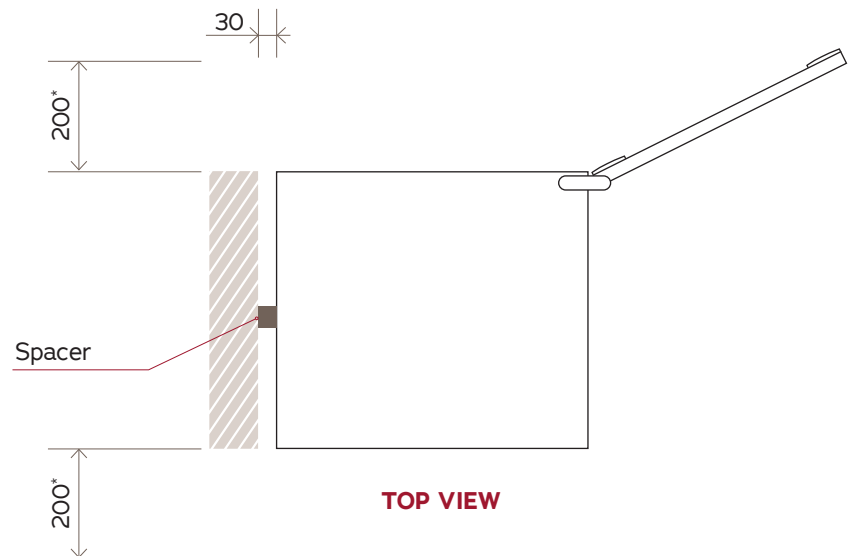
35 Bottle Wine Cabinet AL-V30SGE



FRONT VIEW



SIDE VIEW



TOP VIEW

NOTE: Illustrations not to scale.
All dimensions in millimetres.

*V30 models are intended to be freestanding only. At least 200mm of space is required above and beside the cabinet as shown.

For complete installation instructions, please refer to the user manual for this product.